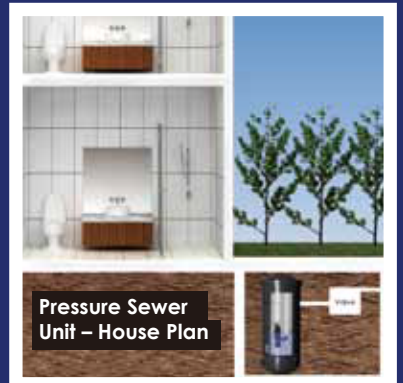


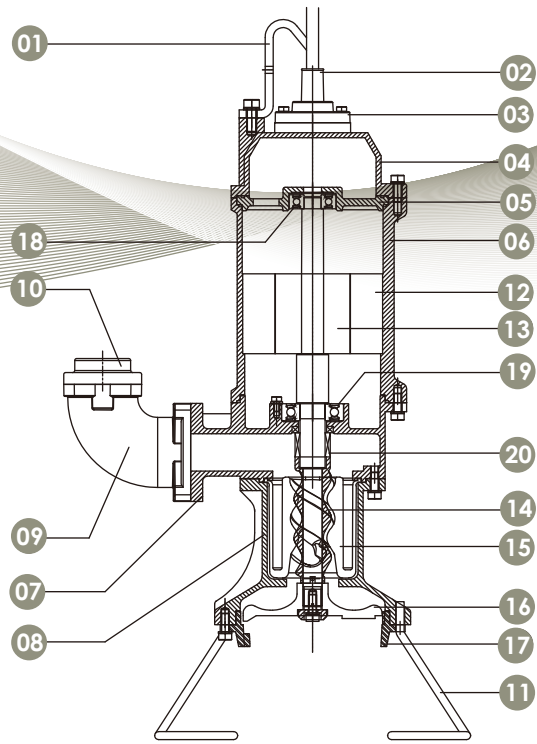
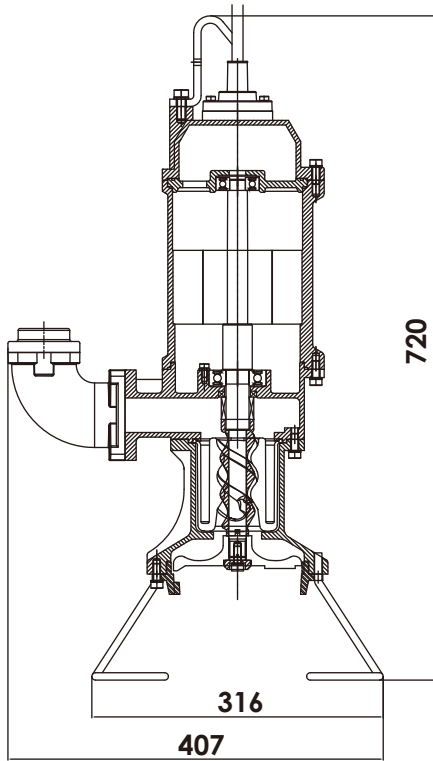
BIANCO PUMPZ

PDG series

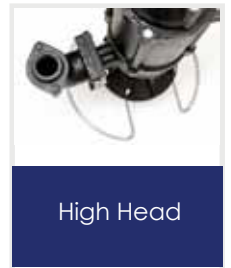
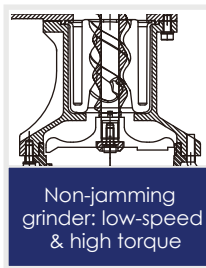
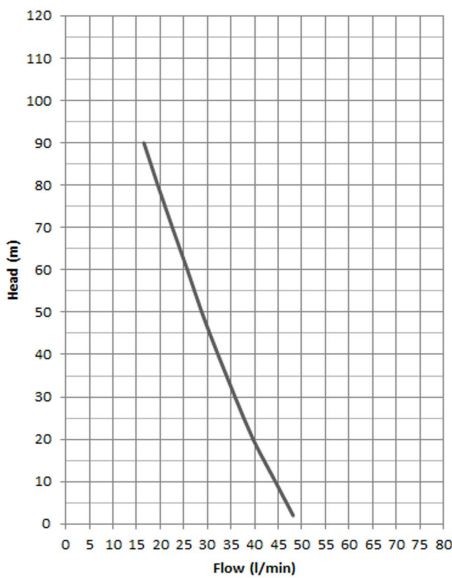
Submersible Sewage Grinder Pumps For Pressure Sewer Systems

Liquid temperature: 0 °C to 40 °C /
+32 °F to +104 °F
HP range: 1.5 HP/ 1.1 kW
PH: 6 to 8
Protection class: IP68
Maximum immersion depth: 8M





Construction					
No.	Description	Material	No.	Description	Material
1	Handle	Steel Plated	11	Base	SUS 304
2	Cable Gland	NBR	12	Stator	Laminated Steel
3	Cable Cover	FC200	13	Rotor	SUS 410
4	Top Cover	FC200	14	Screw Rotor	SUS 304
5	Bearing Cover	FC200	15	Elastomer Stator	NBR
6	Motor Housing	FC200	16	Cutter	SUS 440
7	Pump Casing	FC200	17	Cutter Ring	SUS 440
8	Cutter Seat	FC200	18	Bearing	
9	Elbow	FC200	19	Bearing	
10	Flange	FC200	20	Mechanical Seal	SIC/SIC



Specification

Model	Output		Outlet		Max Flow (LPM)	LPM Flow@Head					Dimension LxWxH (mm)	Weight Kg
	HP	KW	mm	inch		10M	20M	30M	40M	50M		
PDG150	1.5	1.1	32	1-1/4	50	45	37	32	25	20	407x316x720	40